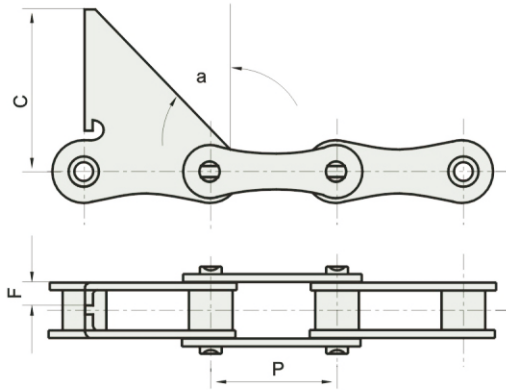


ZGS38联合收割机链及附件

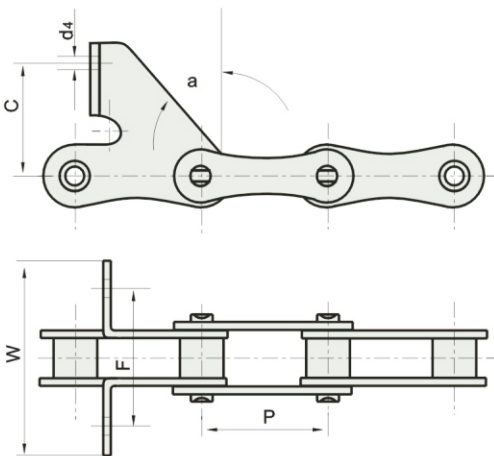
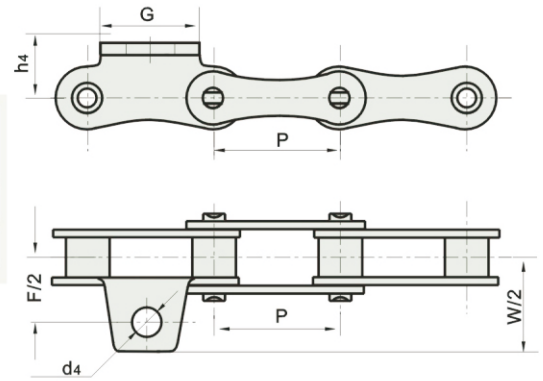


ZGS38 COMBINE CHAINS ATTACHMENTS

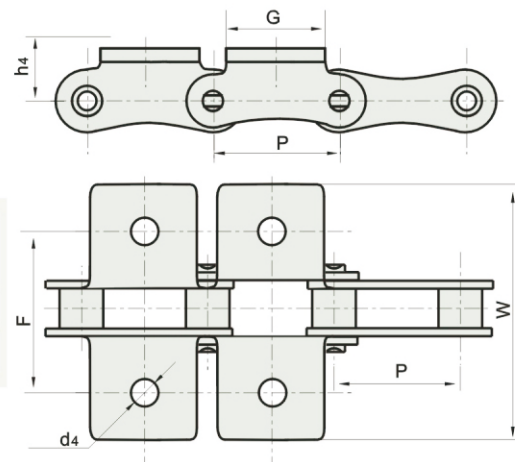


YHK Chain No.	P	C	F	a
	mm	mm	mm	
ZGS38F1	38.0	60.0	15.0	32.5°

YHK Chain No.	P	G	F	W	h ₄	d ₄
	mm	mm	mm	mm	mm	mm
ZGS38F2	38.0	18.0	52.0	78.0	20.0	11.0



YHK Chain No.	P	C	F	W	a	d ₄
	mm	mm	mm	mm	mm	mm
ZGS38F3	38.0	30.0	52.0	68.4	46.5°	6.5



YHK Chain No.	P	G	F	W	h ₄	d ₄
	mm	mm	mm	mm	mm	mm
ZGS38K1	38.0	32.0	53.0	83.2	20.0	8.5