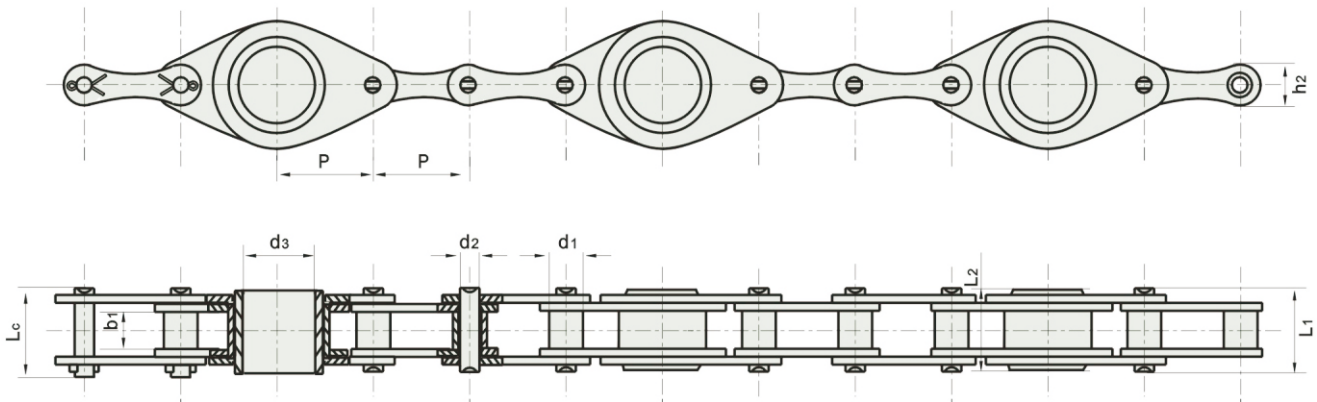
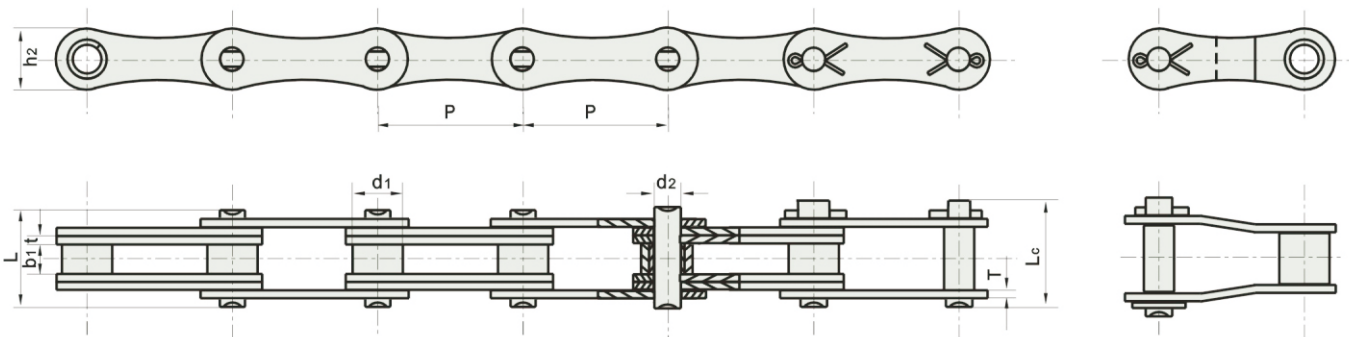


216BF1、CA650F1 农机链

216BF1 AND CA650F1 AGRICULTURAL CHAINS



YHK Chain No.	节距 Pitch	滚子直径 Roller diameter	内节内宽 Width between inner plates	销轴直径 Pin diameter	空心销轴直径 Hollow pin inner diameter	销轴长度 Pin length			内链板高度 Inner plate depth	极限拉伸载荷 Ultimate tensile strength	平均拉伸载荷 Average tensile strength
	P	d ₁ max	b ₁ min	d ₂ max	d ₃ min	L max	L _c max	L _d max	h ₂ max	Q min	Q ₀
	mm	mm	mm	mm	mm	mm	mm	mm	mm	kN	kN
216BF	50.8	15.88	17.02	8.28	35.3	37.8	35.8	41.3	22.0	60.0	70.8



YHK Chain No.	节距 Pitch	滚子直径 Roller diameter	内节内宽 Width between inner plates	销轴直径 Pin diameter	销轴长度 Pin length		内链板高度 Inner plate depth	链板厚度 Plates thickness	极限拉伸载荷 Ultimate tensile strength	平均拉伸载荷 Average tensile strength	每米长重 Weight per meter
	P	d ₁ max	b ₁ min	d ₂ max	L max	L _c max	h ₂ max	T max	Q min	Q ₀	q
	mm	mm	mm	mm	mm	mm	mm	mm	kN	kN	Kg/m
CA650F1	50.8	25.0	19.0	11.28	49.2	53.7	25.0	3.5/5.0	120.0	131.0	4.29