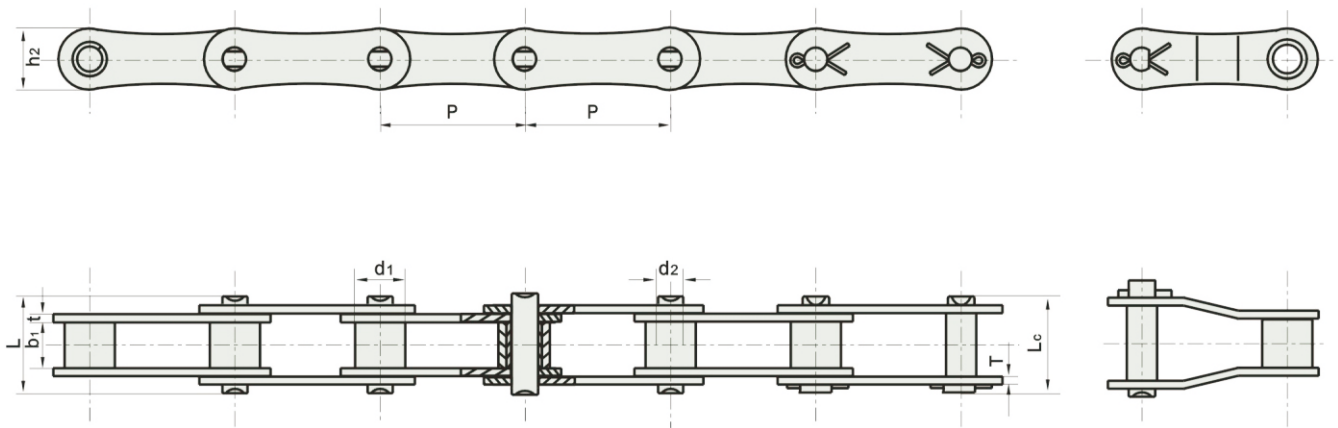


CA SERIES 8 FONT FOUNDATION CHAINS



CA系列∞字型基链



YHK Chain No.	节距 Pitch	滚子直径 Roller diameter	内节内宽 Width between inner plates	销轴直径 Pin diameter	销轴长度 Pin length		内链板高度 Inner plate depth	链板厚度 Plates thickness	极限拉伸载荷 Ultimate tensile strength	平均拉伸载荷 Average tensile strength	每米长重 Weight per meter
	P	d ₁ max	b ₁ min	d ₂ max	L max	L _c max	h ₂ max	T max	Q min	Q ₀	q
	mm	mm	mm	mm	mm	mm	mm	mm	kN	kN	Kg/m
A550	41.4	16.87	19.81	7.15	35	37.8	19.05	2.7	39.1	49.3	1.79
A555	41.4	16.87	12.7	7.15	29.7	32.4	19.05	3.2	39.1	56	1.79
A557	41.4	17.78	20.24	7.92	37	40.3	23.1	3.1	55.6	71.8	2.2
A620	42.01	17.91	24.51	7.15	41.8	44.5	19.05	3.2	39.1	47.9	2.35
CA413L	41.3	16	20	8.28	36.8	39.7	23.5	3	50	-	2.1
CA413V	41.3	16	22.23	8.28	39	41.9	20.4	3	50	-	1.9
A557F	41.4	17.78	20	8	37.4	39.5	23	3	55.6	-	2.4