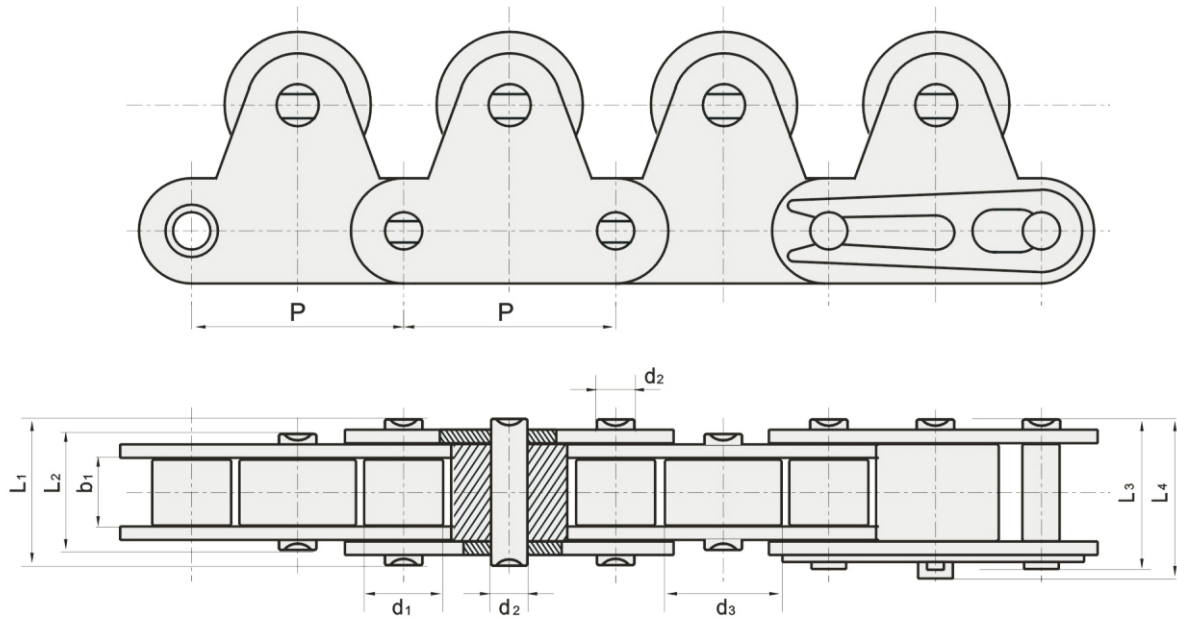
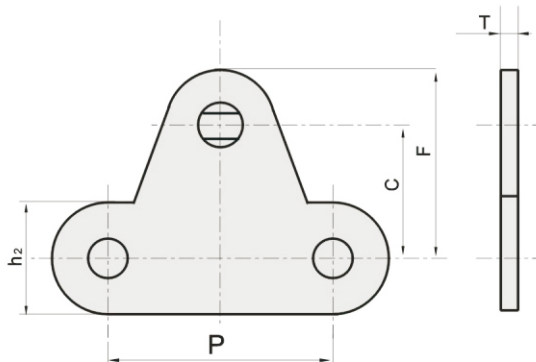


带特殊附板输送链 CONVEYOR CHAIN WITH SPECIAL ATTACHMENTS



YHK Chain No.	节距 Pitch	滚子直径 Roller diameter		内节内宽 Width between inner plates	销轴长度 Pin length				极限拉伸载荷 Ultimate tensile strength	每米长重 Weight per meter	
	P	d ₁ max	d ₃ max	b ₁ min	d ₂ max	L ₁ max	L ₂ max	L ₃ max	L ₄ max	Q min	q
	mm	mm	mm	mm	mm	mm	mm	mm	mm	kN	kN
C2040-1LTR	25.40	7.95	15.88	7.85	3.96	16.6	13.5	17.8	18.8	14.1	1.15
C2050-1LTR	31.75	10.16	19.05	9.40	5.08	20.7	16.5	22.2	23.3	22.2	1.85
C2060-1LTR	38.10	11.91	22.23	12.57	5.94	25.9	21.0	27.7	28.3	31.8	3.50
C2080-1LTR	50.80	15.88	28.58	15.75	7.92	32.7	26.2	35.0	36.5	56.7	5.50
C2100-1LTR	63.50	19.05	39.67	18.90	9.53	40.4	32.3	44.7	44.7	88.5	8.70



YHK Chain No.	P	C	F	H ₂	T
	mm	mm	mm	mm	mm
C2040-1LTR	25.40	12.7	17.45	12.0	1.50
C2050-1LTR	31.75	15.9	22.25	15.0	2.03
C2060-1LTR	38.10	18.3	26.25	18.0	2.42
C2080-1LTR	50.80	24.6	34.15	24.0	3.25
C2100-1LTR	63.50	31.8	44.50	30.0	4.00