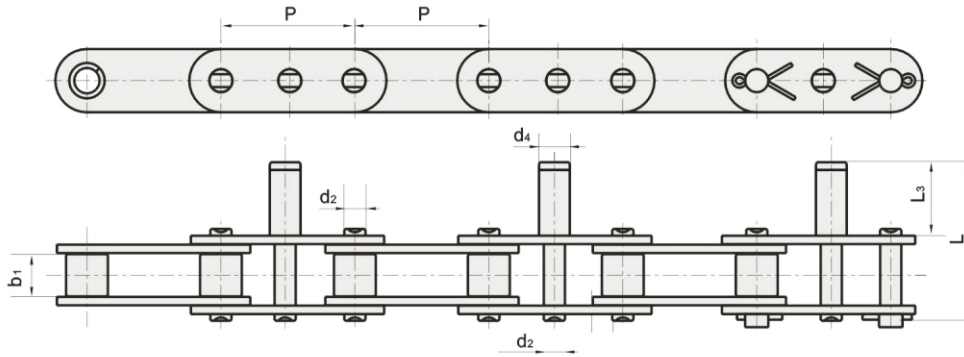
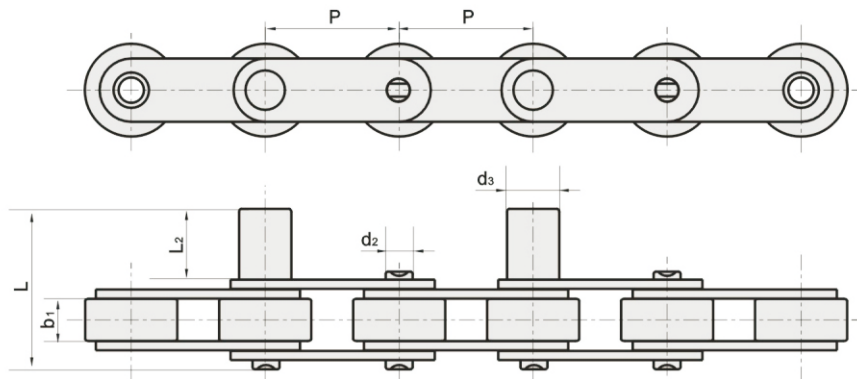


特殊加长销双节距输送链 DOUBLE PITCH CONVEYOR CHAIN WITH SPECIAL EXTENDED PINS



YHK Chain No.	P	b ₁	d ₂	d ₃	d ₄	L ₃	L
	mm	mm	mm	mm	mm	mm	mm
C2060HD5-A	38.1	12.57	5.94	7.95	12.70	41.3	69.0
C2060HD5-B	38.1	12.57	5.94	7.70	14.27	41.3	69.0
C2060HD5-C	38.1	12.57	5.94	5.54	12.70	41.3	69.0
C2060HD5-D	38.1	12.57	5.94	5.90	12.70	41.3	69.0
C2060HD5-E	38.1	12.57	5.94	8.30	10.00	35.0	62.8



YHK Chain No.	P	b ₁	d ₂	d ₃	L ₃	L
	mm	mm	mm	mm	mm	mm
C2052D34	31.75	9.40	5.08	7.50	14.15	33.6
C210AD54	31.75	9.40	5.08	11.00	34.00	53.7
C2052-D52	31.75	9.40	5.08	6.00	32.40	52.0
C2050-D60	31.75	9.40	5.08	8.00	40.00	59.7
C212AHL-D53	38.10	12.57	5.94	8.00	25.00	53.0
C2062-D50	38.10	12.57	5.94	12.00	25.00	49.7