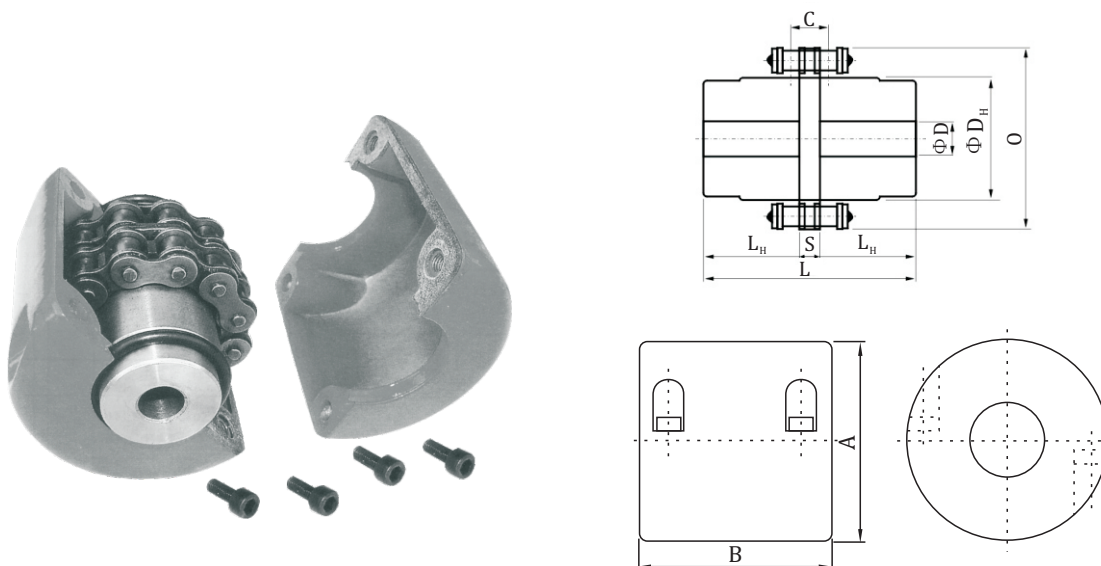


# CHAIN COUPLINGS

## Roller Chain Couplings

The chain coupling, composed of two-strand roller chains and two sprockets, features simple and compact structure, and high flexibility, power transmission capability and durability. What's more, the chain coupling allows simple connection/disconnection, and the use of the housing enhances safety and durability.



Coupling number	Chain pitch	Coupling									Casing			
		Drill hole	Shaft diam.		O	L	D <sub>H</sub>	L <sub>H</sub>	S	C	Approx weight kg/m	A	B	Approx weight kg/m
			Min.	Max.										
3012	9.525	12	13.5	16	45	65	27.2	29.5	6.0	10.1	0.31	69	63	0.22
4012	12.70	12	14	22	62	79.4	36	36	7.4	14.4	0.73	77	72	0.30
4014		12	14	28	69	79.4	45	36			1.12	84	75	0.31
4016	15.875	13.5	16	32	77	87.4	51.5	40	9.7	18.1	1.50	92	72	0.35
5014		14.5	17	35	86	99.7	56	45			2.15	101	85	0.47
5016	19.05	14.5	18	40	96	99.7	64	45	11.5	22.8	2.75	110	87	0.50
5018		16	18	45	106	99.7	73.5	45			3.60	122	85	0.60
6018	20.40	20	22	56	127	123.5	89.5	56	15.2	29.3	6.55	147	105	1.2
6020		20	24	60	139	123.5	102.5	56			8.38	158	105	1.2
6022	31.75	20	28	71	151	123.5	116	56	18.8	35.8	10.4	168	117	1.2
8018		20	32	80	169	141.2	115	63			13.2	190	129	1.9
8020	38.10	20	36	90	185	145.2	125	65	22.7	45.4	16.2	210	137	2.5
8022		20	40	100	202	157.2	142	71			21.8	226	137	2.7
10020	38.10	25	45	110	233	178.8	162	80	22.7	45.4	32.4	281	153	4.1
12018		35	50	125	256	202.7	173	90			43.2	307	181	5.2
12022		35	56	140	304	222.7	213	100			69.1	357	181	6.7